

## CFL SQUARE 28 W/835 GR8

---

OSRAM CFL SQUARE 2 pins | Square CFLni with 2-pin base for CCG operation



- Low-profile wall and ceiling luminaires
- Public buildings, reception areas, offices, corridors, etc.
- Shops
- Supermarkets and department stores
- Hotels, restaurants
- Industry

### Product benefits

---

- Square shape provides uniform distribution of light
- No shadows at either end and no dark patches
- Extremely low profile
- Very economical
- Good quality of light
- Long service life

### Product features

---

- Single-ended two-pin plug-in GR8 base
- Short and compact pin-base lamp with double-turn tubes
- Average life: 10,000 h
- Color rendering index  $R_a$ : 80...89



## Technical data

---

### Electrical data

Nominal wattage	28 W
Rated lamp efficacy (standard condition)	73 lm/W
Rated wattage	28 W

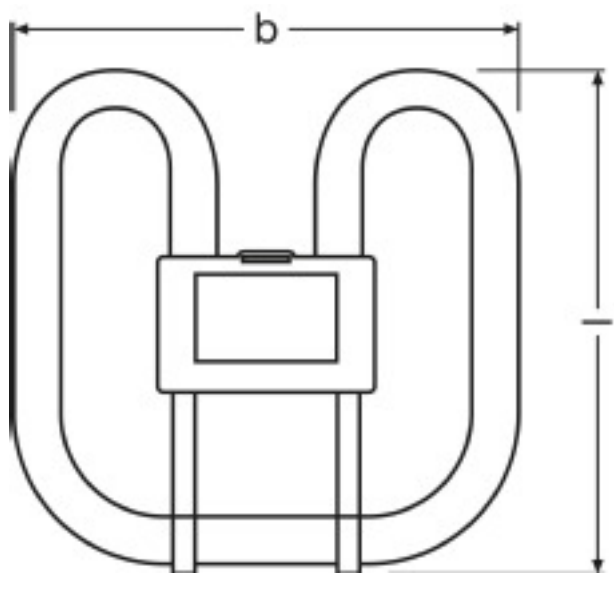
### Light technical data

Color rendering index Ra	80...89
Rated luminous flux	2050 lm
Luminous flux at 25 °C	2050 lm
Light color	835
Color temperature	3500 K
Nominal luminous flux	2050 lm
Rated LLMF at 2,000 h	0.85
Rated LLMF at 4,000 h	0.78
Rated LLMF at 6,000 h	0.76
Rated LLMF at 8,000 h	0.75

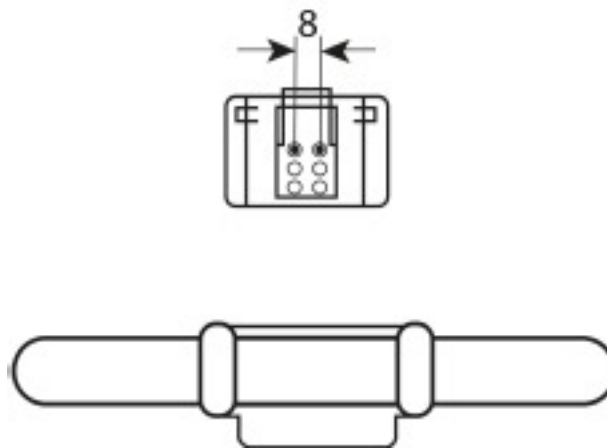
### Dimensions & weight

Length	205.0 mm <sup>1)</sup>
Length acc. to IEC standard	205 mm

<sup>1)</sup> Maximum



Product line drawing with letters



Base



Base

**Colors & materials**

Lamp mercury content	5.0 mg
----------------------	--------

**Lifespan**

Service life	5000 h
Rated lamp survival factor at 2,000 h	0.99
Rated lamp survival factor at 4,000 h	0.94
Rated lamp survival factor at 6,000 h	0.84
Rated lamp survival factor at 8,000 h	0.69
Operation mode LLMF/LSF	50 Hz
Lifespan	10000 h

**Additional product data**

Base (standard designation)	GR8
Appropriate disposal acc. to WEEE	Yes

**Capabilities**

Suitable for indoor	Yes
---------------------	-----

**Certificates & standards**

EEI – Energy Label	B
--------------------	---

## Equipment / Accessories

---

- Suitable for operation on conventional control gear

## Safety advice

---

In case of lamp breakage: [www.osram.com/brokenlamp](http://www.osram.com/brokenlamp)

**Logistical Data**

---

<b>Product code</b>	<b>Packaging unit (Pieces/Unit)</b>	<b>Dimensions (height x width x length)</b>	<b>Gross weight</b>	<b>Volume</b>
4050300816937	Folding carton box 1	220 mm x 39 mm x 220 mm	251.00 g	1.89 dm <sup>3</sup>
4050300816944	Shipping carton box 20	389 mm x 251 mm x 457 mm	5772.00 g	44.62 dm <sup>3</sup>

---

## Disclaimer

---

Subject to change without notice. Errors and omission excepted. Always make sure to use the most recent release.