



|                      |   |
|----------------------|---|
| Product description: | HTM 105/230-240                                     |
| Product code:        | 4050300442341                                       |
| Quantity:            | Shipping carton box (VS) contains<br>20 Piece (PCE) |

You can find this product in the eCatalog:

[http://catalog.myosram.com?~language=EN&~country=DE&it\\_p=4050300442341](http://catalog.myosram.com?~language=EN&~country=DE&it_p=4050300442341)

| Applications               |  |
|----------------------------|--|
| Cable types, input side    | NYM 3x1.5 mm <sup>2</sup>   H05VV-F 3x0.75 mm <sup>2</sup>   H05VV-F 3x1.0 mm <sup>2</sup>   H05VV-F 3x1.5 mm <sup>2</sup>   H05VV-F 2x0.75 mm <sup>2</sup>   H05VV-F 2x1.0 mm <sup>2</sup>   H05VV-F 2x1.5 mm <sup>2</sup>   H05VVH2-F 2x0.75 mm <sup>2</sup> |
| Dimmer                     | Trailing- or leading-edge phase control for inductive load dimmers   |
| Dimming range              | 0...100 %  |
| Dimmable                   | Yes  |
| Overload protection        | automatic reversible   |
| Overtemperature protection | automatic reversible   |
| Short-circuit protection   | automatic reversible   |
| Type of fixing             | screw-mounting   |

| Categorizations |         |
|-----------------|---------|
| SEG number      | 5280330 |

| Certificates & Standards             |  |
|--------------------------------------|--|
| Approval marks - approval            | VDE   VDE-EMC   ENEC 10  |
| Protection against ignition and fire | F, MM  |
| Standards                            | acc. to EN 55015:2006 + A1:2007   acc. to EN 61000-3-2   acc. to EN 61547   acc. to EN 61047   acc. to IEC 61347 |
| Type of protection                   | IP20   |

| General Description |                          |
|---------------------|--------------------------|
| Design / version    | Compact with cable clamp |

| Logistical Data              |                        |
|------------------------------|------------------------|
| Product weight               | 125 g                  |
| Relative humidity            | 5...85 % <sup>1)</sup> |
| Temperature range at storage | -40...85 °C            |

| Technical - Colors |      |
|--------------------|------|
| Product color      | grey |

| Technical - Electrical Data          |                               |
|--------------------------------------|-------------------------------|
| Inrush current                       | 1 A                           |
| No-load proof                        | Yes                           |
| Galvanic isolation primary/secondary | 4.00 kV                       |
| Rated power factor $\lambda$         | 0.99                          |
| Maximum mains current                | 0.41 A <sup>2)</sup>          |
| Nominal voltage                      | 230-240 V                     |
| Mains frequency                      | 50-60 Hz                      |
| DC voltage                           | -                             |
| Lamp wattage                         | 35...105 W                    |
| Operating frequency                  | 43 kHz <sup>3)</sup>          |
| Output voltage                       | 11.3 V   11.4 V <sup>4)</sup> |



| Technical - Electrical Data              |                     |
|--|---------------------|
| Device power loss                        | 6.0 W <sup>5)</sup> |
| Max. no. of ECGs on circuit breaker 10 A | 23                  |
| Max. no. of ECGs on circuit breaker 16 A | 38                  |

| Technical - Geometries               |                              |
|--------------------------------------|------------------------------|
| Maximum cable length - system        | 2.0 m                        |
| Length                               | 108.00 mm                    |
| Width                                | 52.00 mm                     |
| Nominal voltage                      | 33.00 mm                     |
| Mounting hole spacing, length        | -                            |
| Mounting hole spacing, width         | -                            |
| Wire preparation length, input side  | 12 mm   7.0 mm <sup>6)</sup> |
| Wire preparation length, output side | 12 mm   7.0 mm <sup>7)</sup> |

| Technical - Temperatures                  |            |
|---|------------|
| Ambient temperature range                 | 0...+45 °C |
| Operating temperature                     | 85 °C      |
| Max. housing temperature in case of fault | 110 °C     |

| Packaging units |                                       |                                     |                       |                  |
|-----------------|---------------------------------------|-------------------------------------|-----------------------|------------------|
| Product code    | Packaging type and content            | Dimensions in h x w x l             | Gross weight          | Volume           |
| 4050300442334   | Unpacked contains 1 Piece             | 51,000 mm x 31,000 mm x 109,000 mm  | 125,000 g (0,000 g)   | 0.174 Cubic dec. |
| 4050300442341   | Shipping carton box contains 20 Piece | 229,000 mm x 94,000 mm x 270,000 mm | 2.736,000 g (0,000 g) | 5.812 Cubic dec. |

#### General

- Not suitable for dc operation
- Line frequency: 50 - 60 Hz
- Short-circuit protection, overload protection, overtemperature protection: electronically reversible
- RI suppression: to EN 55015 (A1: 2007)
- Line harmonics: to EN 61000-3-2
- Safety: to EN 61347
- Immunity: to EN 61547
- VDE Sign EMV Sign ENEC 10

For further information please refer to the HALOTRONIC product guide.

- 1) Maximum 56 days/year at 85 %
- 2) effectively
- 3) Approximately
- 4) 105 W | 35 W
- 5) Maximum
- 6) Cable sheath | Wire
- 7) Cable sheath | Wire



- Use the same cable diameter for primary and secondary side.
- A single secondary cable is possible (free choice of the terminal pair)
- Kabel mit gleichem Durchmesser für Primär- und Sekundärseite verwenden.
- Eine einzelne Sekundärleitung ist möglich (Klemmpaar frei wählbar).

Wire stripping:

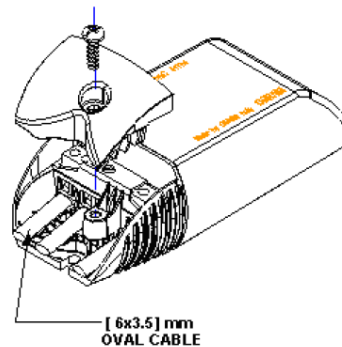
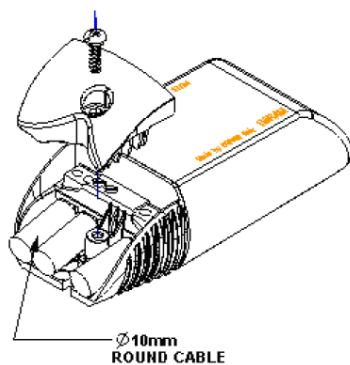
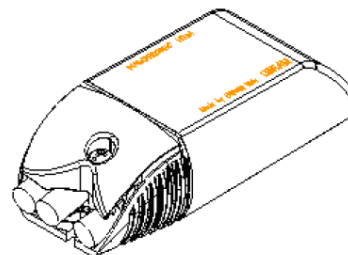
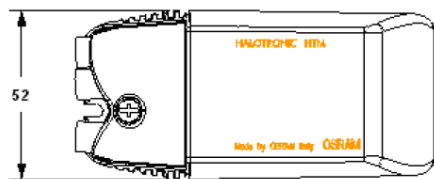
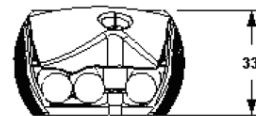
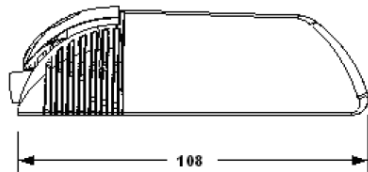
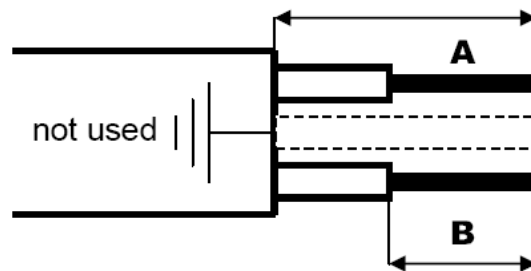
Sheath = 12 mm [ A ]

Conductors = 7 mm [ B ]

Abisolierung der Anschlussleitung:

Kabelmantel = 12 mm [ A ]

Leitungsadern = 7 mm [ B ]





## Wiring with dimmer | Verdrahtung mit Dimmer

