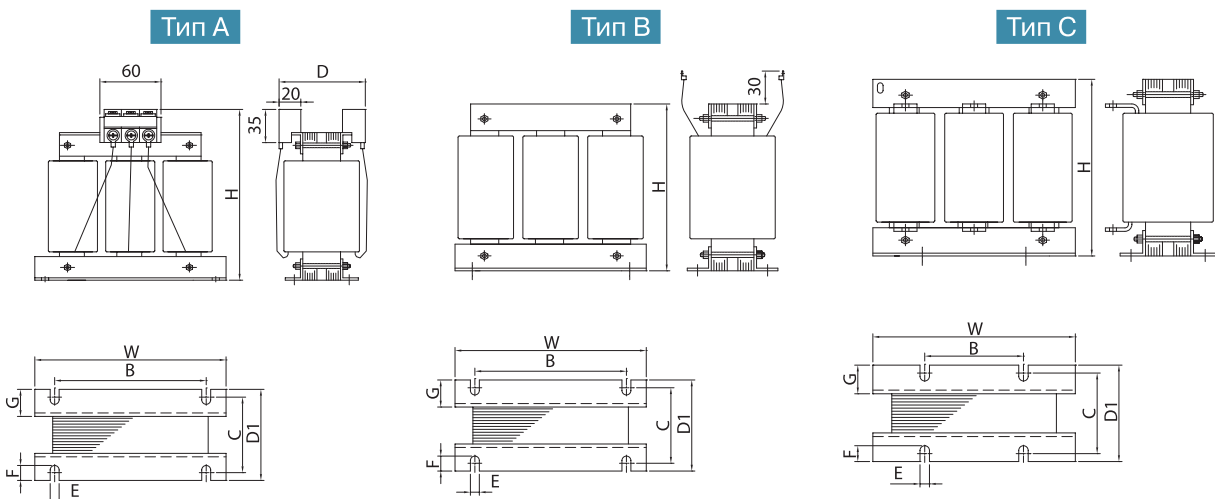


Входные дроссели

Модель	Частотный преобразователь	Ток	Индуктивность, мГн	Размеры, мм								Вес, кг	Рис.
				H	W	B	C	D	D1	C	ExF		
200 В													
ACL-LI-1.5 (ACL-LI5-1.5)	004SF/LF	5.5	1.16 (2.91)	95(130)	100 (155)	65(125)	60 (72)	95(110)	75(92)	30 (33.5)	5Ф	1.5 (2.5)	A (A)
ACL-LI-2.5 (ACL-LI5-2.5)	007SF/LF	8.2	0.78 (1.95)	130 (130)	155 (155)	125 (125)	72 (72)	110 (110)	92 (92)	30 (33.5)	7x20	2.5 (3.5)	A (A)
ACL-LI-3.5 (ACL-LI5-3.5)	015~022SF/LF	11.5	0.56 (1.39)	130 (145)	155 (155)	125 (125)	72 (75)	110 (120)	92 (95)	30 (30)	7x20	2.5 (4.5)	A (A)
ACL-LI-5.5 (ACL-LI5-5.5)	037LF	18	0.36 (0.89)	130 (145)	155 (155)	125 (125)	72 (75)	110 (120)	92 (95)	30 (30)	7x20	3 (5.5)	A (A)
ACL-LI-7.5 (ACL-LI5-7.5)	055LF	26.5	0.24 (0.60)	130 (145)	155 (155)	65 (125)	82 (75)	120 (120)	102 (95)	30 (30)	7x20	4 (6)	A (A)
ACL-LI-11 (ACL-LI5-11)	075LF	35	0.18 (0.46)	145 (145)	155 (155)	125 (125)	75 (85)	120 (125)	95 (105)	30 (30)	7x20	6 (7.5)	A (A)
ACL-LI-15 (ACL-LI5-15)	110LF	50.5	0.13 (0.32)	145 (150)	155 (180)	125 (155)	75 (80)	120 (-)	95 (100)	30 (30)	7x20	6 (9)	A (B)
ACL-LI-22 (ACL-LI5-22)	150LF	70.5	0.09 (0.23)	190 (150)	240 (180)	125 (155)	93 (105)	145 (-)	113 (125)	30 (30)	9x20	15 (14)	C (B)
ACL-LI-33 (ACL-LI5-33)	185~220LF	105	0.06 (0.15)	220 (150)	240 (180)	125 (155)	93 (105)	145 (-)	113 (125)	30(30)	9x20	16 (16)	C (B)
400 В													
ACL-HI-1.5 (ACL-HI5-1.5)	004~007HF	4	3.2 (8)	125 (140)	150 (150)	120 (120)	70 (70)	105 (110)	90 (95)	33.5 (30)	7x20	1.5 (3.5)	A (A)
ACL-HI-2.5 (ACL-HI5-2.5)	015HF	5	2.5 (6.5)	125 (140)	150 (150)	120 (120)	70 (70)	105 (110)	90 (95)	33.5 (30)	7x20	2 (4)	A (A)
ACL-HI-3.5 (ACL-HI5-3.5)	022HF	8	1.6 (4)	125 (140)	150 (150)	120 (120)	70 (70)	105 (110)	90 (95)	33.5 (30)	7x20	2.5 (4.5)	A (A)
ACL-HI-5.5 (ACL-HI5-6.5)	037HF	9	1.42 (3.56)	130 (145)	155 (155)	125 (125)	72 (75)	110 (115)	92 (95)	33.5 (30)	7x20	3 (5)	A (A)
ACL-HI-7.5 (ACL-HI5-8)	055HF	14.5	0.88 (2.21)	130 (145)	155 (155)	125(125)	72 (75)	110 (115)	92 (95)	33.5 (30)	7x20	3.5 (5.5)	A (A)
ACL-HI-11 (ACL-HI5-11)	075HF	17.5	0.73 (1.83)	145 (145)	155 (155)	125(125)	75 (85)	120 (125)	95 (105)	30(30)	7x20	4.5 (7)	A (A)
ACL-HI-15 (ACL-HI5-16)	110HF	25	0.51 (1.28)	145 (145)	155 (155)	125 (125)	75 (85)	120 (125)	95 (105)	30 (30)	7x20	5.5 (7.5)	A (A)
ACL-HI-22 (ACL-HI5-22)	150HF	35	0.37 (0.91)	145 (170)	155 (180)	125 (155)	85 (80)	130 (120)	105 (100)	30 (30)	7x20	6.5 (10)	A (A)
ACL-HI-33 (ACL-HI5-33)	185~220HF	52	0.25 (0.62)	150 (150)	180 (180)	155 (155)	80 (100)	- (-)	100 (120)	30 (30)	7x20	8.5 (14)	B (B)
ACL-HI-40 (ACL-HI5-40)	300HF	63	0.2 (0.51)	150 (180)	180 (240)	155 (100)	80 (103)	- (165)	100 (123)	30 (30)	7x20	9.5 (20)	B (C)
ACL-HI-50 (ACL-HI5-50)	370HF	80	0.16 (0.4)	200 (210)	240 (280)	100 (100)	98 (108)	150 (165)	118 (128)	30 (30)	9x20	17 (22)	C (C)
ACL-HI-60 (ACL-HI5-60)	450HF	99	0.13 (0.32)	210 (220)	240 (280)	100 (100)	98 (98)	150 (165)	118 (118)	30 (30)	9x20	18 (23)	C (C)
ACL-HI-70 (ACL-HI5-70)	550HF	120	0.11 (0.27)	230 (230)	240 (290)	125 (125)	113 (113)	160 (170)	133 (133)	35 (35)	9x20	22 (28)	C (C)
ACL-HI-100 (ACL-HI5-100)	750HF	165	0.08 (0.19)	230 (260)	240 (280)	125 (125)	113 (113)	160 (175)	133 (133)	35 (30)	9x20	24 (33)	C (C)
ACL-HI-120 (ACL-HI5-120)	900HF	193	0.07 (0.17)	230 (230)	240 (290)	125 (125)	123 (123)	170 (185)	143 (143)	40 (30)	9x20	25 (37)	C (C)
ACL-HI-150 (ACL-HI5-150)	1100HF	235	0.05 (0.14)	230 (250)	240 (320)	125 (125)	143 (143)	180 (195)	163 (163)	50 (40)	9x20	26 (45)	C (C)
ACL-HI-180 (ACL-HI5-180)	1320HF	285	0.04 (0.11)	270 (270)	290 (320)	125 (125)	143 (143)	190 (200)	163 (163)	50 (45)	9x20	33 (48)	C (C)
ACL-HI-220 (ACL-HI5-200)	1600HF	358	0.04 (0.09)	300 (320)	290 (350)	125 (125)	133 (133)	190 (200)	153 (153)	40 (40)	11 x 20	40 (60)	C (C)
ACL-HI-300 (ACL-HI5-300)	2200HF	494	0.03 (0.06)	300 (300)	300 (350)	125 (125)	138 (138)	200 (205)	158 (158)	40 (40)	11 x 20	50 (67)	C (C)
ACL-HI-400 (ACL-HI5-400)	2800HF	578	0.02 (0.06)	300 (310)	300 (360)	125 (125)	158(166)	215 (250)	178 (186)	50 (35)	11 x 20	58 (90)	C (C)
ACL-HI-500 (ACL-HI5-500)	3500HF	720	0.018 (0.044)	300 (380)	300 (420)	125 (125)	158 (166)	215 (250)	178 (186)	50 (45)	11 x 20	75 (120)	C (C)

Рис.

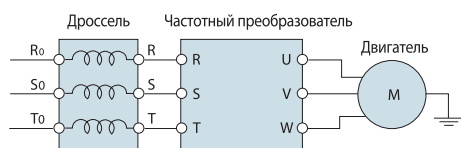


Аксессуары

Выходные дроссели

Модель	Частотный преобразователь	Ток	Индуктивность, мГн	Размеры, мм								Вес, кг	Рис.
				H	W	B	C	D	D1	C	ExF		
200 В													
ACL-L-0.4	004SF/LF	3	1,5	130	155	125	72	105	92	33,5	7x20	2,5	A
ACL-L-0.75	007SF/LF	4,2	1,2	130	155	125	72	105	92	33,5	7x20	2,5	A
ACL-L-1.5	015SF/LF	7,5	0,67	130	155	125	72	105	92	33,5	7x20	3	A
ACL-L-2.2	022SF/LF	10,5	0,41	130	155	125	72	105	92	33,5	7x20	3	A
ACL-L-3.7	037LF	16	0,25	130	155	125	72	105	92	33,5	7x20	3,5	A
ACL-L-5.5	055LF	22	0,18	145	155	125	85	125	105	30	7x20	5	A
ACL-L-7.5	075LF	32	0,12	145	155	125	85	125	105	30	7x20	6	A
ACL-L-11	110LF	43	0,09	145	155	125	85	125	105	30	7x20	7	A
ACL-L-15	150LF	64	0,06	150	180	155	80	-	100	30	7x20	7,5	B
ACL-L-18.5	185LF	80	0,05	150	180	155	80	-	100	30	7x20	8	B
ACL-L-22	220LF	95	0,042	150	180	155	80	-	100	30	7x20	8	B
400 В													
ACL-H-1.5	004~015HF	3,8	2,12	130	155	125	72	110	92	33,5	7x20	2,5	A
ACL-H-2.2	022HF	5,3	1,52	130	155	125	72	110	92	33,5	7x20	3	A
ACL-H-3.7	037HF	8	1,01	130	155	125	72	110	92	33,5	7x20	3,5	A
ACL-H-5.5	055HF	11	0,73	145	155	125	85	125	105	30	7x20	6	A
ACL-H-7.5	075HF	16	0,58	145	155	125	85	125	105	30	7x20	6,5	A
ACL-H-11	110HF	22	0,31	145	155	125	85	125	105	30	7x20	6,5	A
ACL-H-15	150HF	32	0,25	145	155	125	85	125	105	30	7x20	7	A
ACL-H-18.5	185HF	40	0,2	150	180	155	80	-	100	30	7x20	8,5	B
ACL-H-22	220HF	48	0,16	150	180	155	80	-	100	30	7x20	9	B
ACL-H-30	300HF	58	0,13	150	180	155	80	-	100	30	7x20	9,5	B
ACL-H-37	370HF	72	0,11	150	180	155	105	-	125	30	7x20	11	B
ACL-H-45	450HF	87	0,092	150	180	155	105	-	125	30	7x20	12	B
ACL-H-55	550HF	101	0,08	190	240	155	103	-	123	30	7x20	16	B
ACL-H-75	750HF	144	0,056	220	280	155	103	150	123	30	9x20	24	C
ACL-H-90	900HF	173	0,046	240	300	155	103	150	123	30	9x20	28	C
ACL-H-110	1100HF	217	0,037	260	310	155	123	170	143	40	11x20	32	C
ACL-H-132	1320HF	260	0,031	280	310	155	123	170	143	40	11x20	36	C
ACL-H-160	1600HF	300	0,024	260	320	290	123	185	143	40	11x20	38	C
ACL-H-220	2200HF	415	0,018	290	350	290	143	210	163	50	11x20	45	C
ACL-H-280	2800HF	525	0,015	310	350	290	153	220	173	50	11x20	57	C
ACL-H-375	3500HF	690	0,02										

Входной дроссель



Выходной дроссель

