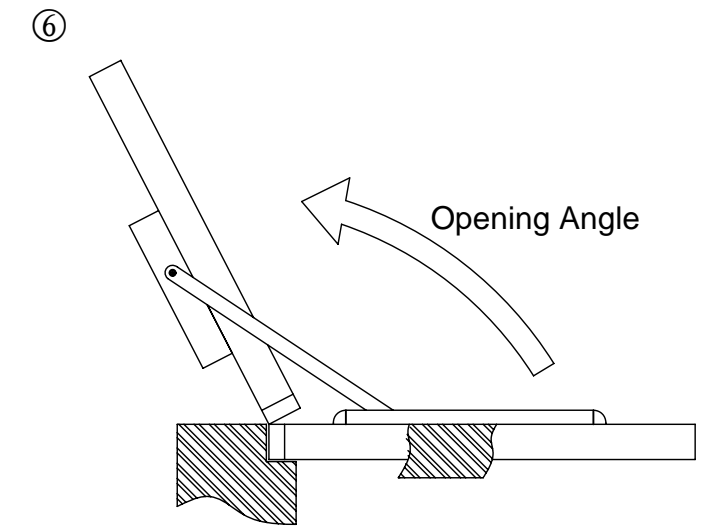
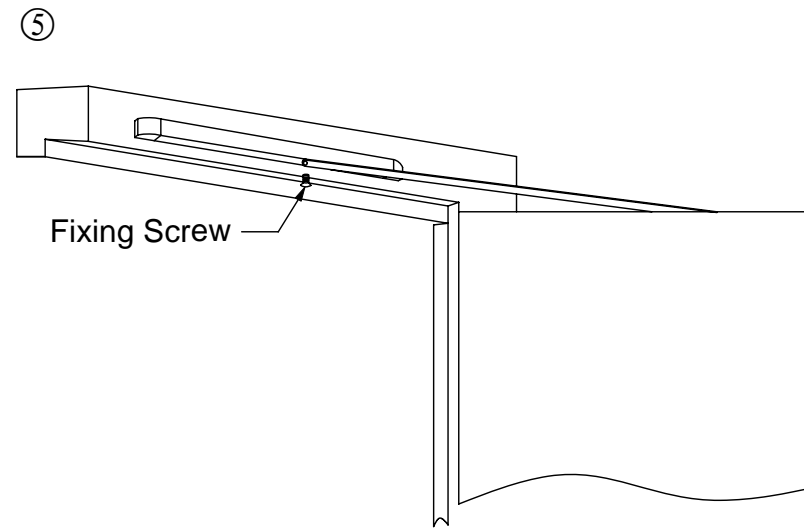
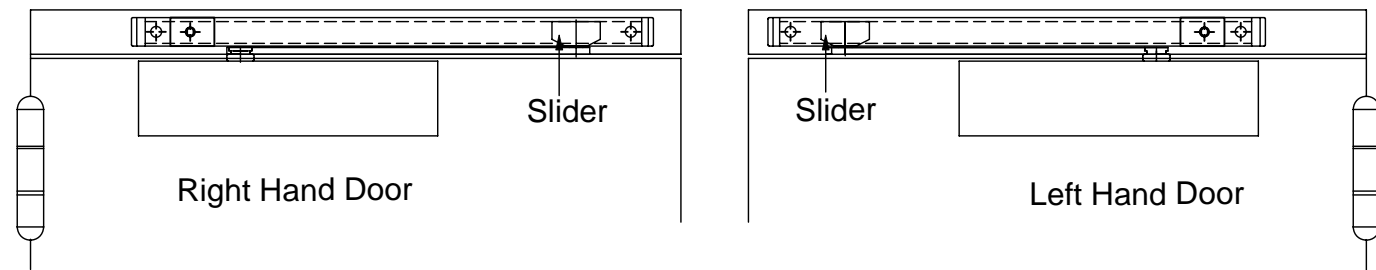


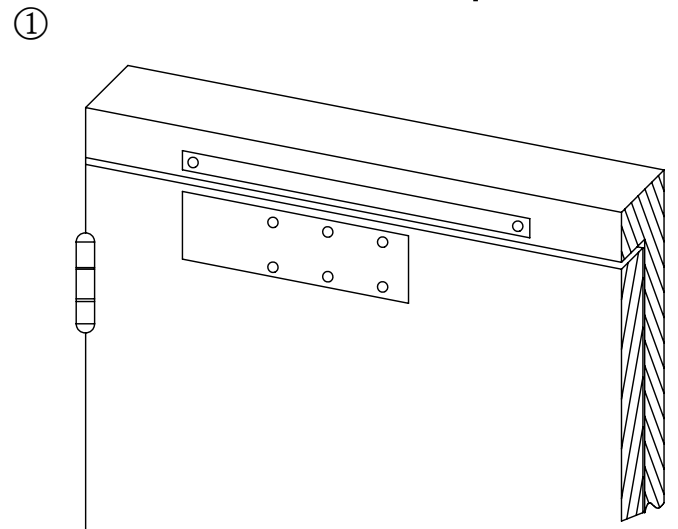
# ALDC-45SL

# DOOR CLOSER INSTALLATION SHEET

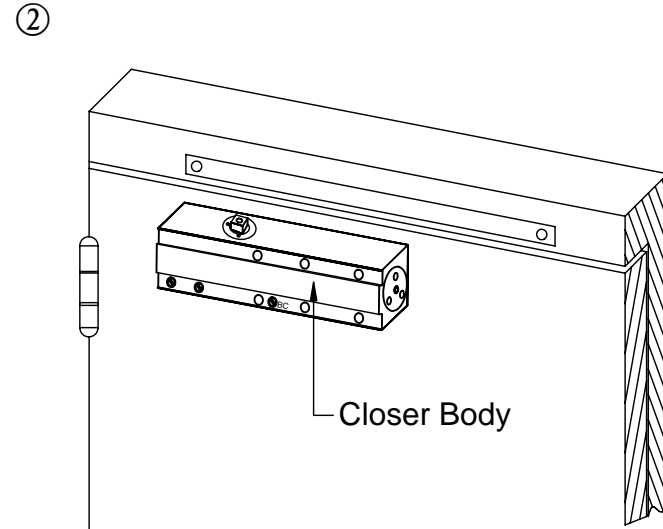
## A. Chart to determine hand of door.



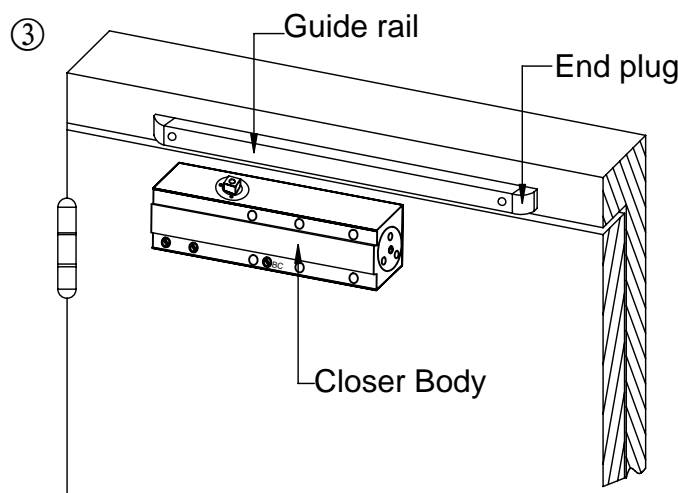
## B. Installation Sequence



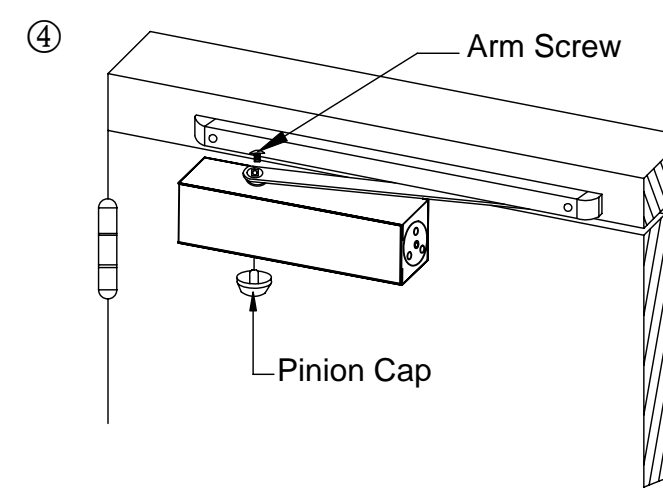
Mark 4 holes on door for closer and 2 holes on frame face for guide rail.



Install closer body on the door leaf.



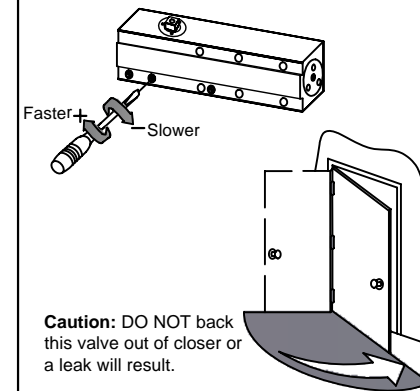
Mount guide rail on the door frame, and screw it tightly after inserting the slider and end plugs.



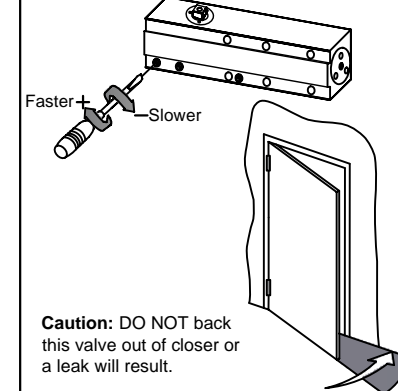
Attach the main arm to spindle and screw it tightly. Snap pinion cap over spindle on the bottom of closer body.

## C. Adjust closer.

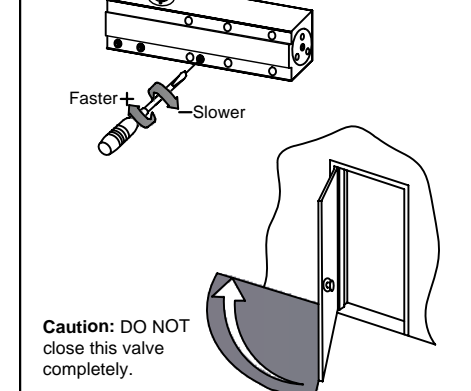
### ① Regulating closing speed.



### ② Regulating latching speed.



### ③ BackCheck adjustment.



Model no.	Power size	Door Weight
ALDC-45SL	Size 2	20-45 KGS

**CAUTION: Do not** back valves out of closer or a leak will result.

### Attention:

1. Door closer has the function to close the door automatically; no extra force is exerted, otherwise, the closer may be damaged.
2. Please install door closer according to the mounting ways and dimensions of this installation instruction.

# ALDC-45SL

# DOOR CLOSER INSTALLATION SHEET

