

# HF-Selectalume II for TL5 lamps

## HF-S 3/414 TL5 II 220-240V 50/60Hz

HF-Selectalume II TL5 is the most cost-effective, reliable and outstanding solution for fluorescent lamps. These ballasts are part of an overall high-efficiency lighting system that may help you or your customers to achieve any international or local energy code you need to comply with. HF-Selectalume II TL5 ballasts are the ideal choice for a broad range of new construction and retrofit applications within the commercial sector, including general surface mounting or office lighting, parking garages, warehouses, waterproof and other applications.

### Product data

General Information		Mains voltage safety (AC)	
Application code	II	Mains voltage safety (AC)	198-264V-10%-+10%
Type version	mk1	Earth leakage current (max.)	0.5 mA
Lamp type	TL5	Inrush current width	0.35 ms
Number of lamps	3/4 piece/unit	Ballast factor (nom.)	1.13
Number of products on MCB (16 A type B) (nom.)	28	Power losses (nom.)	6.1/10.8 W
Automatic restart	Yes	Inrush current peak (max.)	18 A
Operating and Electrical		Wiring	
Input voltage	220 to 240 V	Connector type input terminals	WAGO 744 connector
Input frequency	50-60 Hz	Cable capacity output wires mutual (max.)	120 pF
Operating frequency (nom.)	45 kHz	Connector type output terminals	WAGO 744 connector [ Suitable for manual wiring]
Crest factor (nom.)	1.7	Cable length hot-wiring	0.75 m
Power factor 100% load (nom.)	0.98	Wire strip length	8.0-9.0 mm
Preheat time	1.6 s	Dual fixture master/slave	Possible, lamp wires 2m max. length [ Master/Slave operation possible]
Mains voltage performance (AC)	202-254V-8%-+6%		

## HF-Selectalume II for TL5 lamps

Input terminal cross section	0.50-1.50 mm <sup>2</sup>
Output terminal cross section	0.50-1.50 mm <sup>2</sup>
Cable capacity cold output wires – earth (max.)	120 pF
Cable capacity hot output wires – earth (max.)	120 pF

### System characteristics

Rated ballast-lamp power	14 W
Rated lamp power on TL5	14 W
System power on TL5	51.0/61.4 W
Lamp power on TL5	44.2/55.0 W
Power loss on TL5	6.8/6.4 W

### Temperature

T ambient (max.)	55 °C
T ambient (min.)	-20 °C
T storage (max.)	80 °C
T storage (min.)	-40 °C
T case lifetime (nom.)	75 °C
T-Case maximum (max.)	75 °C

### Mechanical and Housing

Housing	L 280x39x21.5
---------	---------------

### Emergency Operation

Nominal light output after 60 seconds	100% of EBLF
Normal operating voltage (DC)	220-240 V
Battery voltage guaranteed operation	176-275 V

Battery voltage guaranteed ignition	186-275 V
Emergency ballast lumen factor (EBLF) (nom.)	0.7 %
Nominal light output after 5 seconds	50% of EBLF

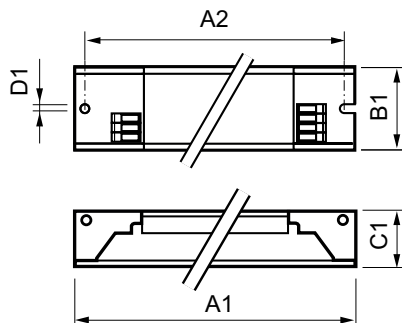
### Approval and Application

Energy efficiency Index	A2/A2BAT
EMI 9 kHz... 30 MHz	EN55015
Vibration standard	IEC68-2-6 F c
Bumps standard	IEC 68-2-29 Eb (10G/16ms)
Approval marks	F-Marking CE marking ENEC certificate CCC certificate C-Tick certificate PSB certification TISI marking SIRIM approval CB Certificate CCC certificate VDE-EMV certificate
Humming and noise level	< 30 dB(A)

### Product Data

Full product code	872790088335000
Order product name	HF-S 3/414 TL5 II 220-240V 50/60Hz
EAN/UPC – product	8711500998705
Order code	88335000
Numerator – quantity per pack	1
Numerator – packs per outer box	10
Material no. (12NC)	913713033066
Net weight (piece)	0.228 kg

## Dimensional drawing



HF-S 3/414 TL5 II 220-240V 50/60Hz

Product	A1	B1	C1	A2	B2	D1
HF-S 3/414 TL5 II 220-240V 50/60Hz	280 mm	39 mm	21.5 mm	265 mm	4.2 mm	

## HF-Selectalume II for TL5 lamps

