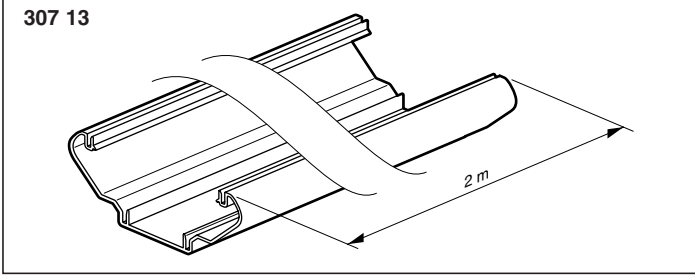
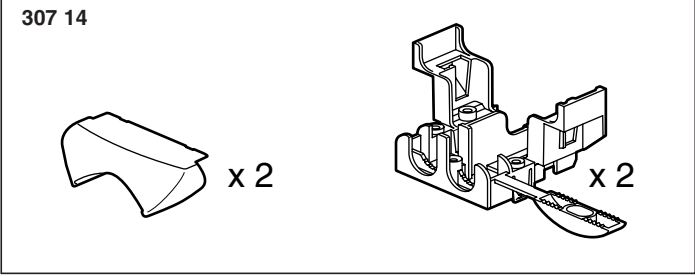
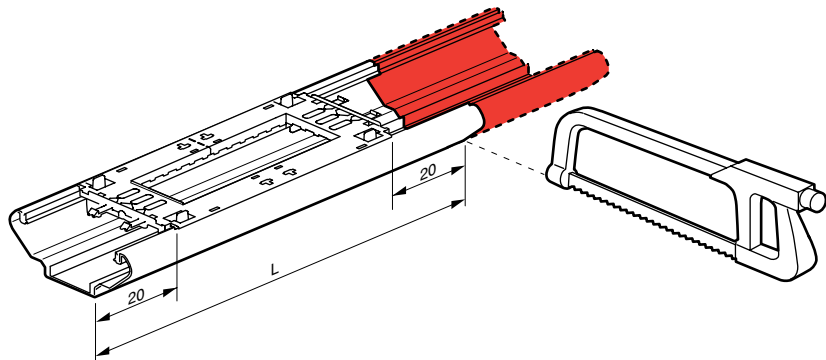


NT 104 870 260/01

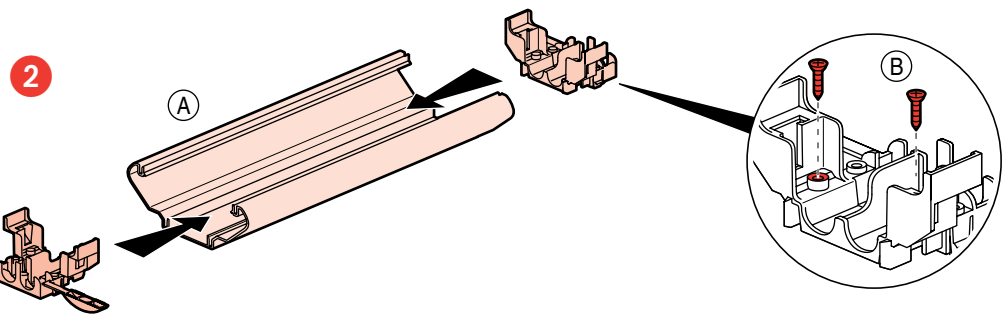


1

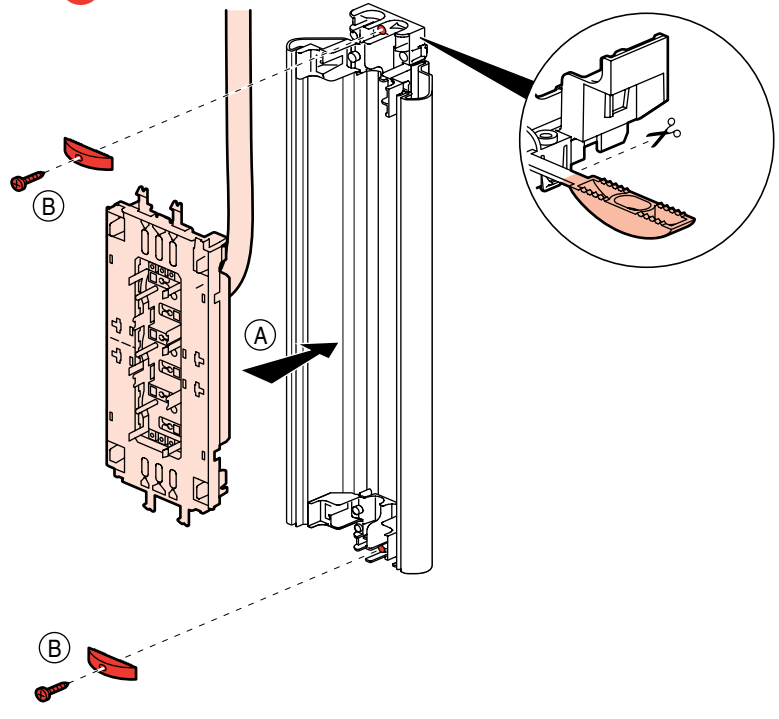


| | | | | | | | | | | | | |
|---------------|---------------|-----------------------------|-----------------------------|-----------------------------|---------------|-----------------------------|---------------|-----------------------------|---------------|-----------------------------|---------------|-----------------------------|
| | 109 22 | x 2 109 22 | x 3 109 22 | x 4 109 22 | 109 32 | x 2 109 32 | 109 42 | x 2 109 42 | 109 62 | x 2 109 62 | 109 82 | x 2 109 82 |
| | | | | | | | | | | | | |
| L (mm) | 144 | 264 | 384 | 504 | 167 | 309 | 189 | 354 | 234 | 444 | 279 | 534 |

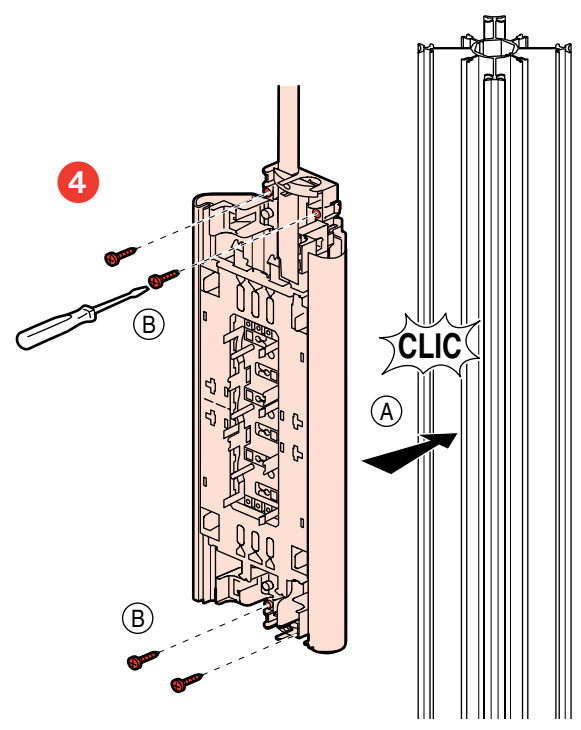
| | | | | | |
|---------------|---------------|-----------------------------|-----------------------------|-----------------------------|-------------------|
| | 109 13 | x 2 109 13 | x 3 109 13 | x 4 109 13 | 109 35 |
| | | | | | |
| L (mm) | 153 | 283 | 413 | 543 | L (mm) 215 |



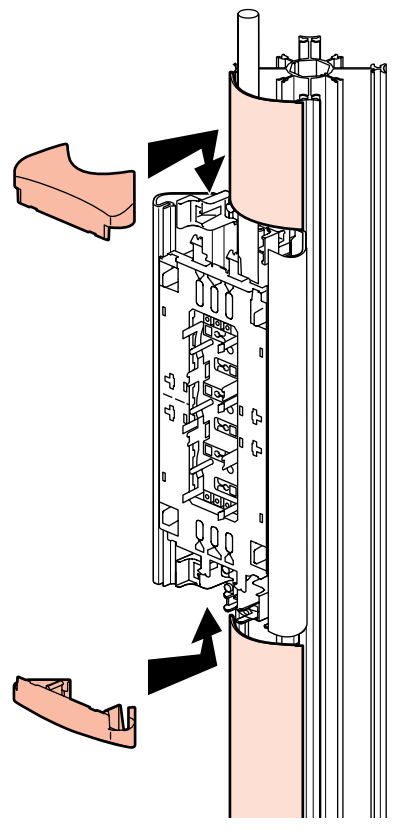
3



4



5



6

