

CFL SQUARE 38 W/835 GR10Q

OSRAM CFL SQUARE 4 pins | Square CFLni with 4-pin base for ECG/CCG operation



- Low-profile wall and ceiling luminaires
- Public buildings, reception areas, offices, corridors, etc.
- Shops
- Supermarkets and department stores
- Hotels, restaurants

Product benefits

- Square shape provides uniform distribution of light
- No shadows at either end and no dark patches
- Very economical
- Extremely low profile
- Good quality of light
- Long service life

Product features

- Short and compact pin-base lamp with double-turn tubes
- Single-ended four-pin plug-in GR10q base
- Average life: up to 10,000 h
- Color rendering index R_a : 80...89



Technical data

Electrical data

Nominal wattage	38 W
Rated lamp efficacy (HF data)	Under clarification by authority and standardization body
Rated lamp efficacy (standard condition)	71 lm/W
Rated wattage	38 W

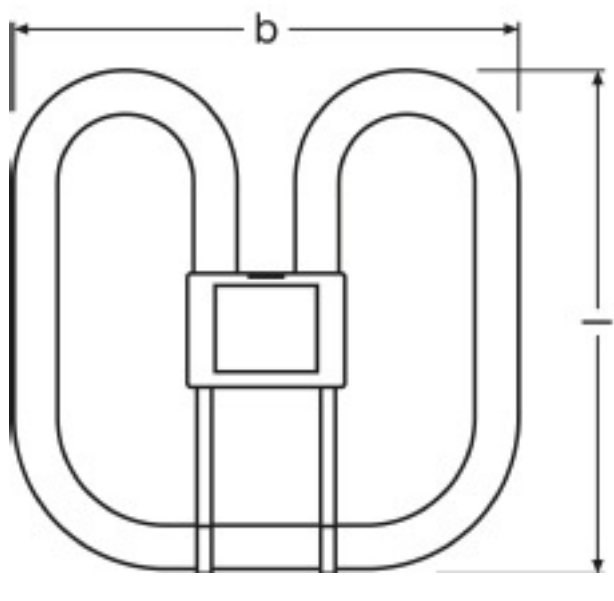
Light technical data

Color rendering index Ra	80...89
Rated luminous flux	2735 lm
Luminous flux at 25 °C	2700 lm
Light color	835
Color temperature	3500 K
Nominal luminous flux	2735 lm
Rated LLMF at 2,000 h	0.90
Rated LLMF at 4,000 h	0.88
Rated LLMF at 6,000 h	0.85
Rated LLMF at 8,000 h	0.82
Rated LLMF at 12,000 h	0.78

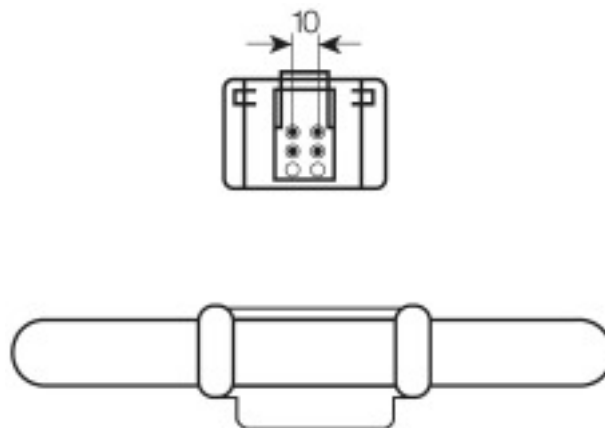
Dimensions & weight

Length	205.0 mm ¹⁾
Length acc. to IEC standard	205 mm

¹⁾ Maximum



Product line drawing with letters



Base

Colors & materials

Lamp mercury content	5.0 mg
----------------------	--------

Lifespan

Service life	7500 h ¹⁾
Rated lamp survival factor at 2,000 h	0.99
Rated lamp survival factor at 4,000 h	0.99
Rated lamp survival factor at 6,000 h	0.95
Rated lamp survival factor at 8,000 h	0.88
Rated lamp survival factor at 12,000 h	0.59
Operation mode LLMF/LSF	HF
Lifespan	13000 h

¹⁾ With preheat ECG

Additional product data

Base (standard designation)	GR10q
-----------------------------	-------

Additional product data

Appropriate disposal acc. to WEEE	Yes
-----------------------------------	-----

Capabilities

Suitable for indoor	Yes
---------------------	-----

Certificates & standards

EEI – Energy Label	B
--------------------	---

Equipment / Accessories

- Suitable for operation on electronic and conventional control gear

Safety advice

In case of lamp breakage: www.osram.com/brokenlamp

Logistical Data

Product code	Packaging unit (Pieces/Unit)	Dimensions (height x width x length)	Gross weight	Volume
4050300817026	Folding carton box 1	220 mm x 41 mm x 220 mm	239.80 g	1.98 dm ³
4050300817033	Shipping carton box 20	389 mm x 251 mm x 457 mm	5548.00 g	44.62 dm ³

References / Links

For more information on QUICKTRONIC electronic control gear go to

▶ www.osram.com/QUICKTRONIC

Disclaimer

Subject to change without notice. Errors and omission excepted. Always make sure to use the most recent release.