



Product description:	HTM 150/230-240
Product code:	4050300581422
Quantity:	Shipping carton box (VS) contains 10 Piece (PCE)

You can find this product in the eCatalog:

[http://catalog.myosram.com?~language=EN&~country=DE&it\\_p=4050300581422](http://catalog.myosram.com?~language=EN&~country=DE&it_p=4050300581422)

Applications	
Cable types, input side	NYM 3x1.5 mm <sup>2</sup>   H05VV-F 3x1.0 mm <sup>2</sup>   H03VV-F 3x1.5 mm <sup>2</sup>
Dimmer	Trailing- or leading-edge phase control for inductive load dimmers
Dimming range	0...100 %
Dimmable	Yes
Overload protection	automatic reversible
Overtemperature protection	automatic reversible
Short-circuit protection	automatic reversible
Type of fixing	screw-mounting

Categorizations	
SEG number	5280333

Certificates & Standards	
Approval marks - approval	VDE   VDE-EMC   ENEC 10
Protection against ignition and fire	F, MM
Standards	acc. to EN 55015:2006 + A1:2007   acc. to EN 61000-3-2   acc. to EN 61547   acc. to EN 61047   acc. to IEC 61347
Type of protection	IP20

General Description	
Design / version	Compact with cable clamp

Logistical Data	
Product weight	185 g
Relative humidity	5...85 % <sup>1)</sup>
Temperature range at storage	-40...85 °C

Technical - Colors	
Product color	grey

Technical - Electrical Data	
Inrush current	1.1 A
No-load proof	Yes
Galvanic isolation primary/secondary	4.00 kV
Rated power factor $\lambda$	0.99
Maximum mains current	0.57 A <sup>2)</sup>
Nominal voltage	230-240 V
Mains frequency	50-60 Hz
DC voltage	-
Lamp wattage	50...150 W
Operating frequency	40 kHz <sup>3)</sup>
Output voltage	11.4 V   11.5 V <sup>4)</sup>
Device power loss	7.0 W <sup>5)</sup>

**Technical - Electrical Data**

Max. no. of ECGs on circuit breaker 10 A	16
Max. no. of ECGs on circuit breaker 16 A	26

**Technical - Geometries**

Maximum cable length - system	2.0 m
Length	153.00 mm
Width	54.00 mm
Nominal voltage	36.00 mm
Mounting hole spacing, length	146 mm
Mounting hole spacing, width	15 mm
Wire preparation length, input side	12 mm   8.0 mm <sup>6)</sup>
Wire preparation length, output side	12 mm   8.0 mm <sup>7)</sup>

**Technical - Temperatures**

Ambient temperature range	0...+45 °C
Operating temperature	80 °C
Max. housing temperature in case of fault	110 °C

**Packaging units**

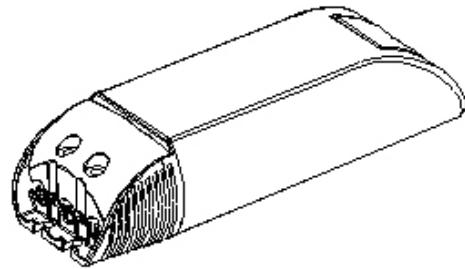
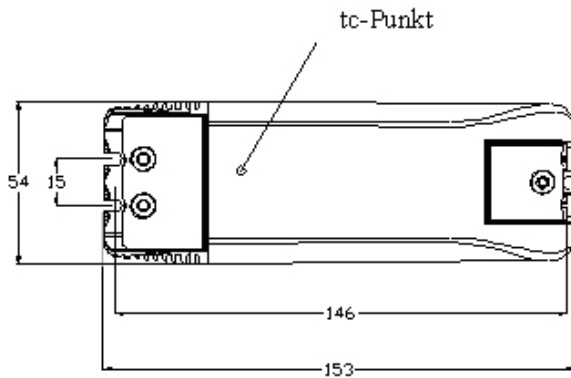
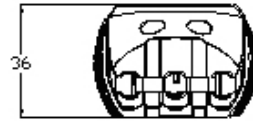
Product code	Packaging type and content	Dimensions in h x w x l	Gross weight	Volume
4050300581415	Unpacked contains 1 Piece	55,000 mm x 35,000 mm x 152,000 mm	192,500 g (0,000 g)	0.293 Cubic dec.
4050300581422	Shipping carton box contains 10 Piece	166,000 mm x 98,000 mm x 276,000 mm	2.046,500 g (0,000 g)	4.490 Cubic dec.

**General**

- Not suitable for dc operation
- Line frequency: 50 - 60 Hz
- Short-circuit protection, overload protection, overtemperature protection: electronically reversible
- RI suppression: to EN 55015 (A1: 2007)
- Line harmonics: to EN 61000-3-2
- Safety: to EN 61347
- Immunity: to EN 61547
- VDE Sign EMV Sign ENEC 10

For further information please refer to the HALOTRONIC product guide.

- 1) Maximum 56 days/year at 85 %
- 2) effectively
- 3) Approximately
- 4) 150 W | 50 W
- 5) Maximum
- 6) Cable sheath | Wire
- 7) Cable sheath | Wire



Max. allowed temperature at test point in normal operation:  $t_c \leq 80 \text{ }^\circ\text{C}$

To meet the radio protection standard, a minimal distance of 40 cm to grounded areas must be maintained when installing a transformer with more than 3 output lines.



## Wiring with dimmer | Verdrahtung mit Dimmer

