

## DECOSTAR 51 TITAN 20 W 12 V 36° GU5.3

---

DECOSTAR 51 TITAN | Halogen longlife dichroic reflector lamps 51 mm and glass panel



- General illumination
- Shops
- Restaurants, hotels and similar prestigious applications
- Offices, public buildings

### Product benefits

---

- Brilliant accent light
- Constant bluish appearance of the light escaping at the back of the reflector
- Dichroic reflector reduces the heat in the light beam by up to 66 %
- Constant luminous intensity and constant color location throughout
- Flat clear shield
- Approved for use in open luminaires (to IEC 60598-1)
- UV filter
- Contains no mercury, can be thrown away with normal household waste

### Product features

---

- Average life: 4,000 h
- Dimmable
- Color rendering index  $R_a$ : 100
- Base: GU5.3

## Technical data

---

### Electrical data

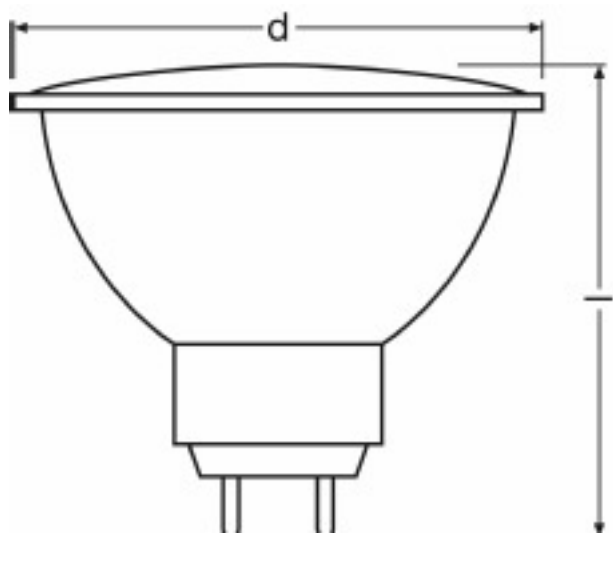
Rated wattage	20 W
Nominal wattage	20 W
Nominal voltage	12 V
Power factor $\lambda$	1.00

### Light technical data

Light color as per EN 12464-1	Warm White
Luminous intensity	780 cd
Beam angle	36 °
Color temperature	3000 K
Color rendering index Ra	100
Starting time	0.0 s
Warm-up time (60 %)	0 s
Lumen main.fact.at end of nom.life time	0.80

### Dimensions & weight

Overall length	46.0 mm
Diameter	51.0 mm
Outer bulb	MR51



Product line drawing with letters

#### Colors & materials

Lamp mercury content	0.0 mg
Mercury-free	Yes

#### Lifespan

Nominal lamp life time	3000 h
Rated lamp life time	3000 h
Number of switching cycles	1000000 <sup>1)</sup>

<sup>1)</sup> At 1 min on / 3 min off

#### Additional product data

Base (standard designation)	GU5.3
-----------------------------	-------

**Capabilities**

<b>Dimmable</b>	Yes
<b>Burning position</b>	Any

**Country specific categorizations**

<b>ILCOS</b>	HRGS//UB-20-12-GU5,3-51/38
<b>Order reference</b>	46860 WFL

**Logistical Data**

Product code	Packaging unit (Pieces/Unit)	Dimensions (height x width x length)	Gross weight	Volume
4050300428659	Folding carton box 1	46 mm x 46 mm x 58 mm	41.00 g	0.12 dm <sup>3</sup>
4050300531809	Shipping carton box 20	109 mm x 122 mm x 238 mm	896.00 g	3.16 dm <sup>3</sup>

## References / Links

---

For light distribution curves see

▶ [www.osram.com](http://www.osram.com)

## Disclaimer

---

Subject to change without notice. Errors and omission excepted. Always make sure to use the most recent release.